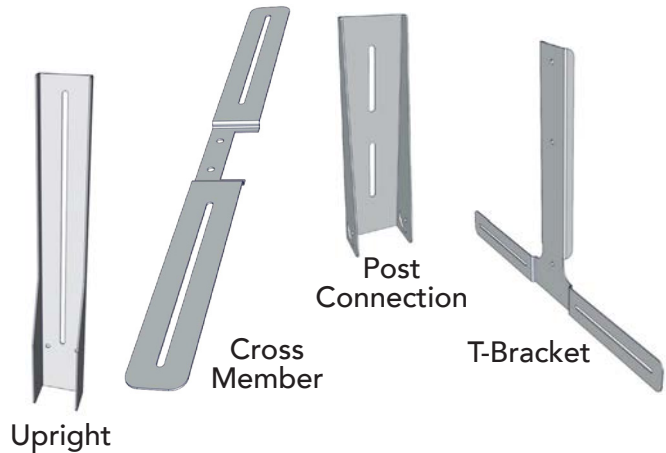


# INSTALLATION INSTRUCTIONS

## SOLAR PANEL BRACKET ASSEMBLY 10046890

This document provides instructions for assembly of the Nice solar panel bracket kit intended for the larger 30 watt and above solar panels. Check to ensure all parts for the solar bracket assembly are included per the table and diagrams below before proceeding with the assembly instructions:

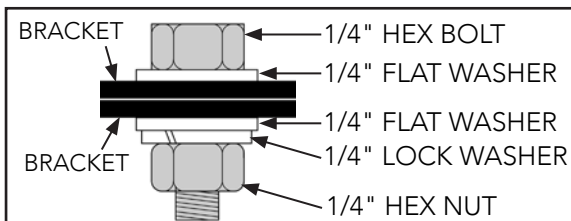
P/N 10046890: BRACKET KIT PARTS LIST		
PART#	DESCRIPTION	QTY
10046415	T-Bracket	1
10046615	Post Connection	1
10046515	Upright	1
10046715	Cross Member	1
10047390	Hardware Kit:	1
	1/4"-20 x 1/2" Hex Bolt	(x8)
	1/4" Lock Washer	(x8)
	1/4"-20 Hex Nuts	(x8)
	1/4" Flat Washer	(x20)
	M6-1.0 (6mm) x 12mm Hex Bolt (x4) M6-1.0 (6mm) Hex Nut (x4)	



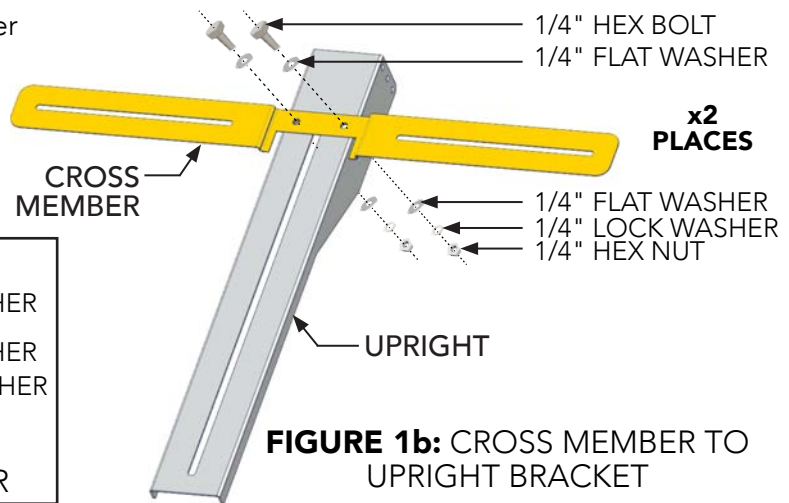
### STEP 1:

Assemble Cross Member to Upright per FIG. 1b using the following hardware:

- 1/4" HEX BOLTS (x2)
- 1/4" FLAT WASHERS (x4)
- 1/4" LOCK WASHERS (x2)
- 1/4" HEX NUTS (x2)



**FIGURE 1a:** HARDWARE ORDER



**FIGURE 1b:** CROSS MEMBER TO UPRIGHT BRACKET

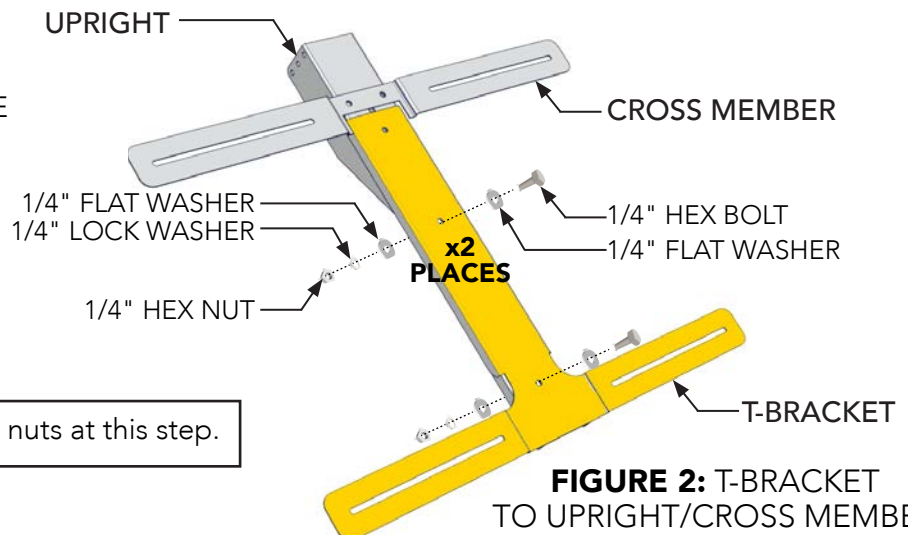
### STEP 2:

Assemble T-Bracket to assembled Upright/Cross Member per FIGURE 2 using:

- 1/4" HEX BOLTS (x2)
- 1/4" FLAT WASHERS (x4)
- 1/4" LOCK WASHERS (x2)
- 1/4" HEX NUTS (x2)

**NOTE:** See FIG. 1a in STEP 1 for hardware order.

**IMPORTANT!** Do not tighten the nuts at this step.



**FIGURE 2:** T-BRACKET TO UPRIGHT/CROSS MEMBER

# INSTALLATION INSTRUCTIONS

SOLAR PANEL BRACKET ASSEMBLY 10046890

## STEP 3:

Use two bolts or screws (mounting hardware not included) to mount the post bracket on the surface in preferred orientation **A** or **B** (see FIGURE 6):

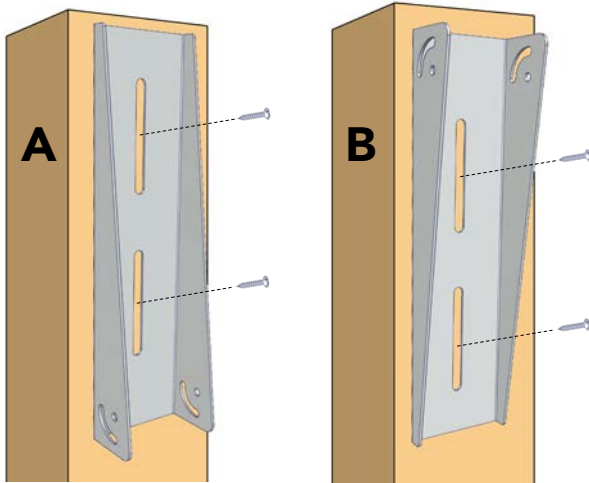


FIGURE 3: AFFIX POST BRACKET

## STEP 5:

Assemble solar panel/bracket to the post bracket in the orientation desired (Fig. 6) using the following hardware:

- 1/4" HEX BOLTS (x4)
- 1/4" FLAT WASHERS (x8)
- 1/4" LOCK WASHERS (x4)
- 1/4" HEX NUTS (x4)

**NOTE:** See FIG. 1a for hardware order.

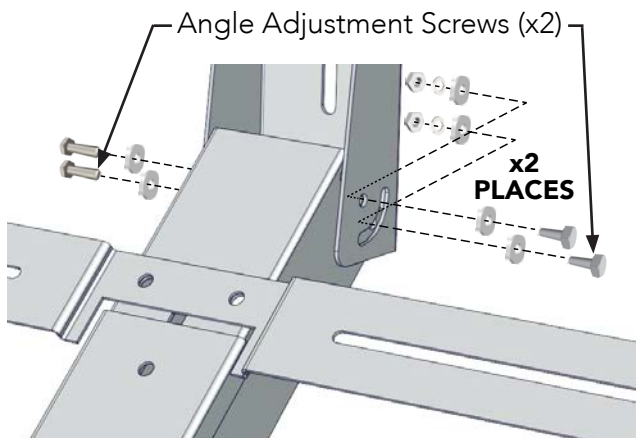


FIGURE 5: AFFIX BRACKET TO POST

## STEP 4:

a) Attach the solar panel to the cross bars of the bracket assembly using the following hardware:

- 6mm HEX BOLT (x4)
- 1/4" FLAT WASHERS (x4)
- 6mm HEX NUT (x4)

b) Tighten T-bracket nuts from Step 2.

c) Tip bolts into frame channel at notches to install.

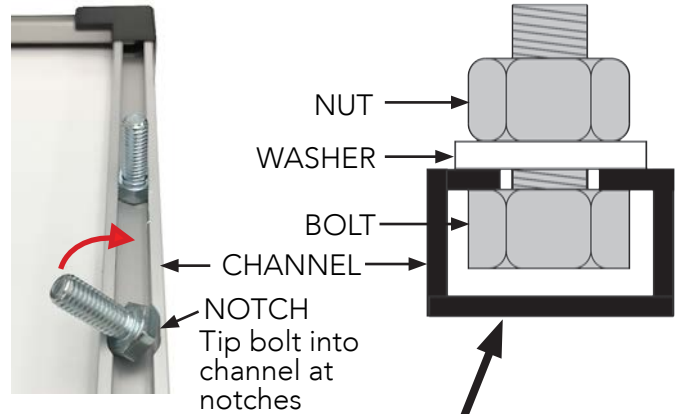


FIGURE 4: AFFIX SOLAR PANEL TO BRACKET

## STEP 6:

Adjust bracket using angle adjustment screws (Fig. 6) so that solar panel receives maximum sunlight:

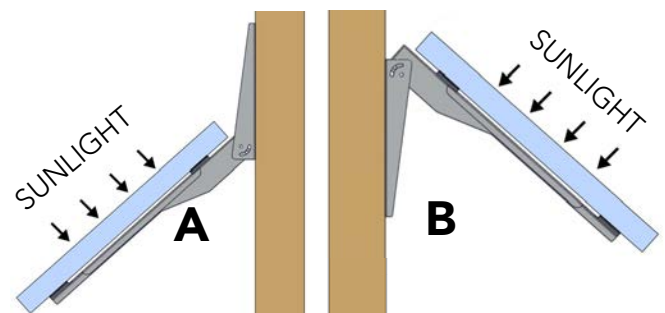


FIGURE 6: A & B ORIENTATIONS