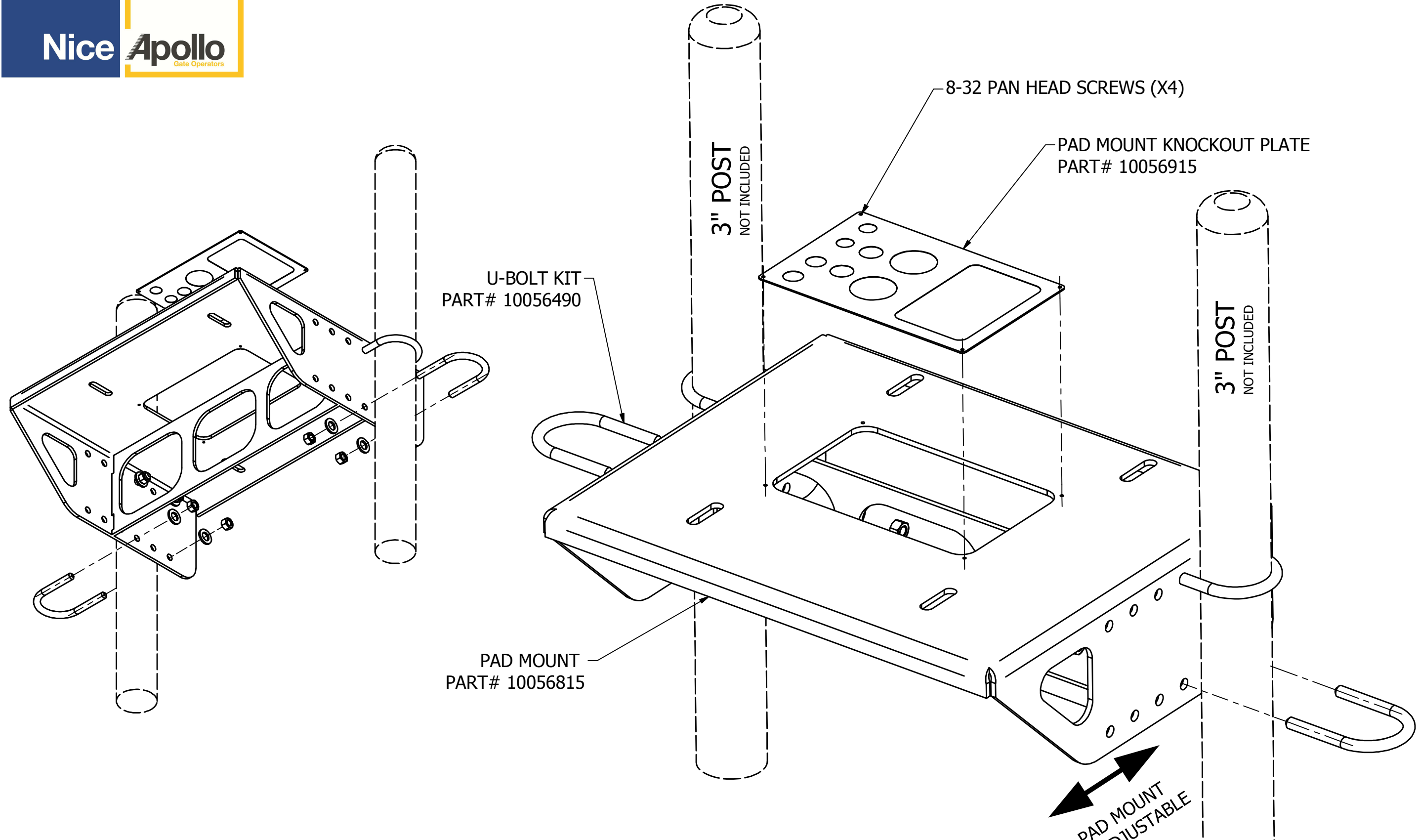




PM8K PAD MOUNT ASSEMBLY INSTRUCTION



BOM TABLE

QTY	DESCRIPTION	PART#
1	PAD MOUNT	10056815
1	KNOCKOUT PLATE	10056915
4	U-BOLT, NUTS AND WASHER KIT (3")	10056490
4	8-32 PAN HEAD SCREW FOR KNOCKOUT PLATE	N/A

D

C

B

A

4

4

3

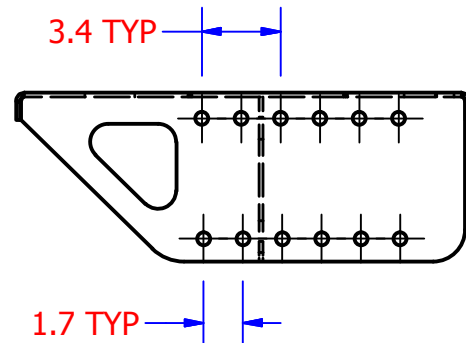
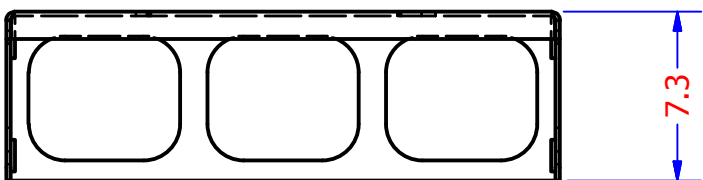
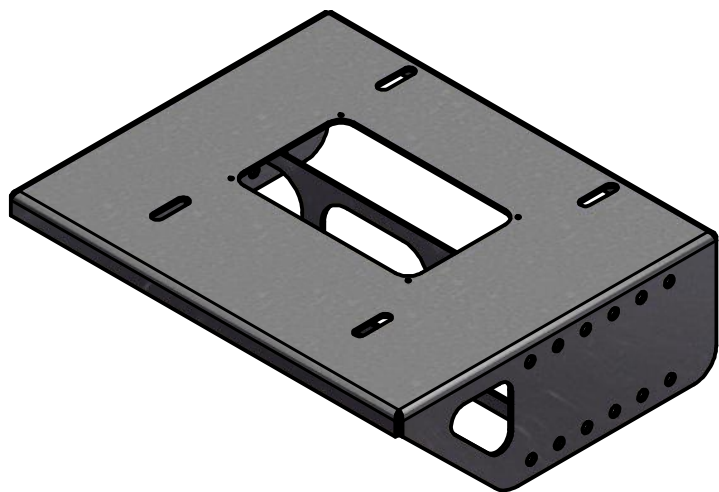
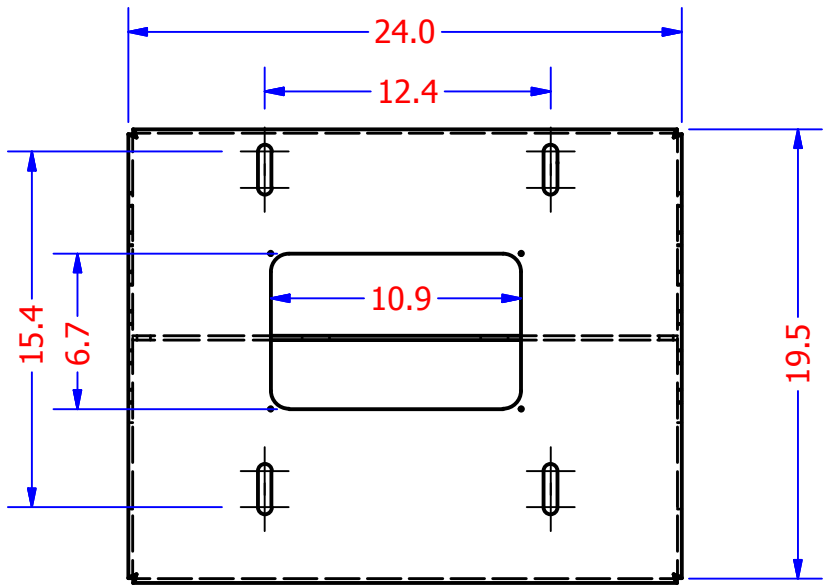
3

2

2

1

1



ApolloGateOpeners.com
 Phone: 800-878-7829
 Fax: 330-650-9004
 sales@apollogateopeners.com

D

C

B

A

4

4